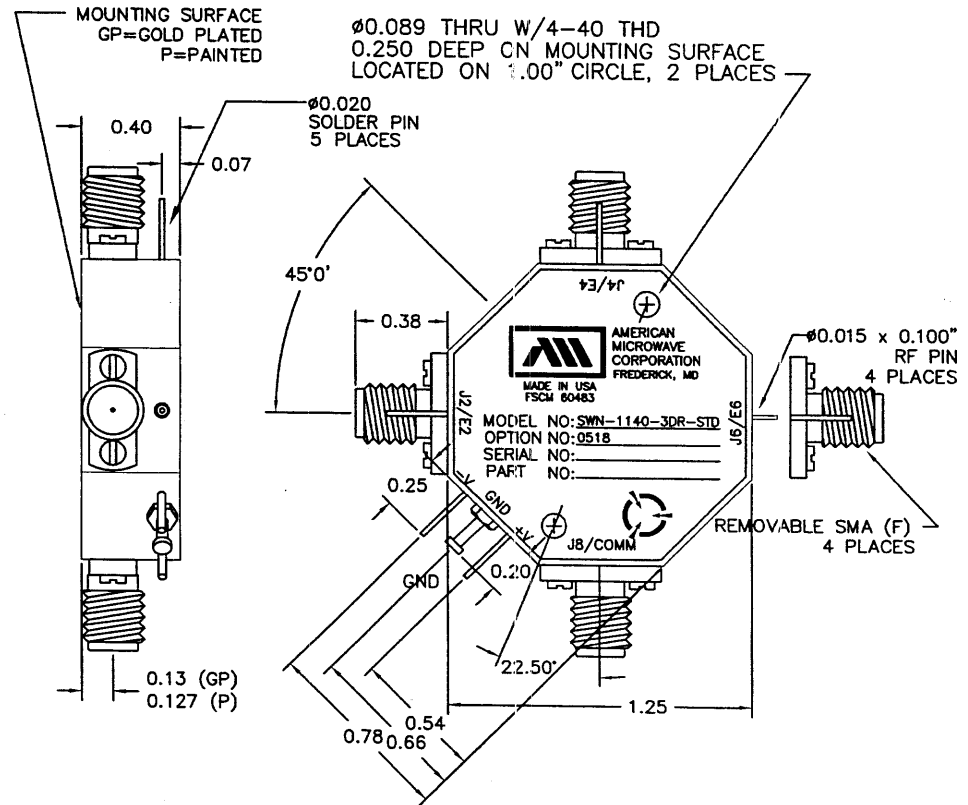


## DESCRIPTION

AMC MODEL SWN-1140-3DR-STD OPTION: 0518 IS A REFLECTIVE, SINGLE POLE THREE THROW SWITCH MODULE DESIGNED TO OPERATE OVER THE FULL 0.5 TO 18 GHz FREQUENCY RANGE WITH LOW INSERTION LOSS AND HIGH ISOLATION.

## SPECIFICATIONS

- FREQUENCY RANGE: ..... 0.5 TO 18 GHz
- INSERTION LOSS: ..... 3.0 dB MAXIMUM
- ISOLATION: ..... 60 dB MINIMUM
- VSWR: ..... 2.0:1
- RISE TIME: ..... 10 nSec TYPICAL, 15 nSec MAXIMUM
- FALL TIME: ..... 10 nSec TYPICAL, 15 nSec MAXIMUM
- DELAY ON: ..... 75 nSec TYPICAL, 100 nSec MAXIMUM
- DELAY OFF: ..... 75 nSec TYPICAL, 100 nSec MAXIMUM
- POWER INPUT: ..... (CW)+20 dBm (STANDARD), +10 dBm (HIGH SPEED)
- SURVIVAL POWER: ..... 1 WATT CW, 10 WATTS PEAK 1 uSec
- CONTROL: ..... TTL LOGIC "0" = ON  
TTL LOGIC "1" = OFF
- POWER SUPPLY: ..... +5V @ 100 mA MAXIMUM  
-5V @ 75 mA MAXIMUM
- CONNECTORS:
  - RF: ..... SMA FEMALE
  - CONTROL: ..... SOLDER PIN
- SIZE: ..... 1.25" (L) x 1.25" (W) x 0.40" (H)
- WEIGHT: ..... 2.0 oz.



## ENVIRONMENTAL RATINGS

- TEMPERATURE: ..... -55°C TO +85°C (OPERATING)  
-65°C TO +125°C (STORAGE)
- HUMIDITY: ..... MIL-STD-202F, METHOD 103B COND. B
- SHOCK: ..... MIL-STD-202F, METHOD 213B COND. B
- VIBRATION: ..... MIL-STD-202F, METHOD 204D COND. B
- ALTITUDE: ..... MIL-STD-202F, METHOD 105C COND. B
- TEMPERATURE CYCLE: ..... MIL-STD-202F, METHOD 107D COND. A

NOTE: SPECIFICATIONS WILL VARY OVER OPERATING TEMPERATURE  
NOTE: THE ABOVE SPECIFICATIONS ARE SUBJECT TO CHANGE OR REVISION

ALL DIMENSIONS ARE IN INCHES  
TOLERANCES:  
X.XX ±0.020  
X.XXX ±0.010

REVISIONS				
ZONE	REV.	DESCRIPTION	DATE	APPROVED
	-	ORIGINAL RELEASE JOB# 411262-2	12/8/04	EJC

## AMERICAN MICROWAVE CORPORATION

7311-G GROVE ROAD  
FREDERICK, MARYLAND 21704 USA  
TEL: 301-662-4700 FAX: 301-662-4938  
WEBSITE: [www.americanmicrowavecorp.com](http://www.americanmicrowavecorp.com)  
E-MAIL: [sales@americanmicrowavecorp.com](mailto:sales@americanmicrowavecorp.com)  
ISO 9001:2000 CERTIFIED

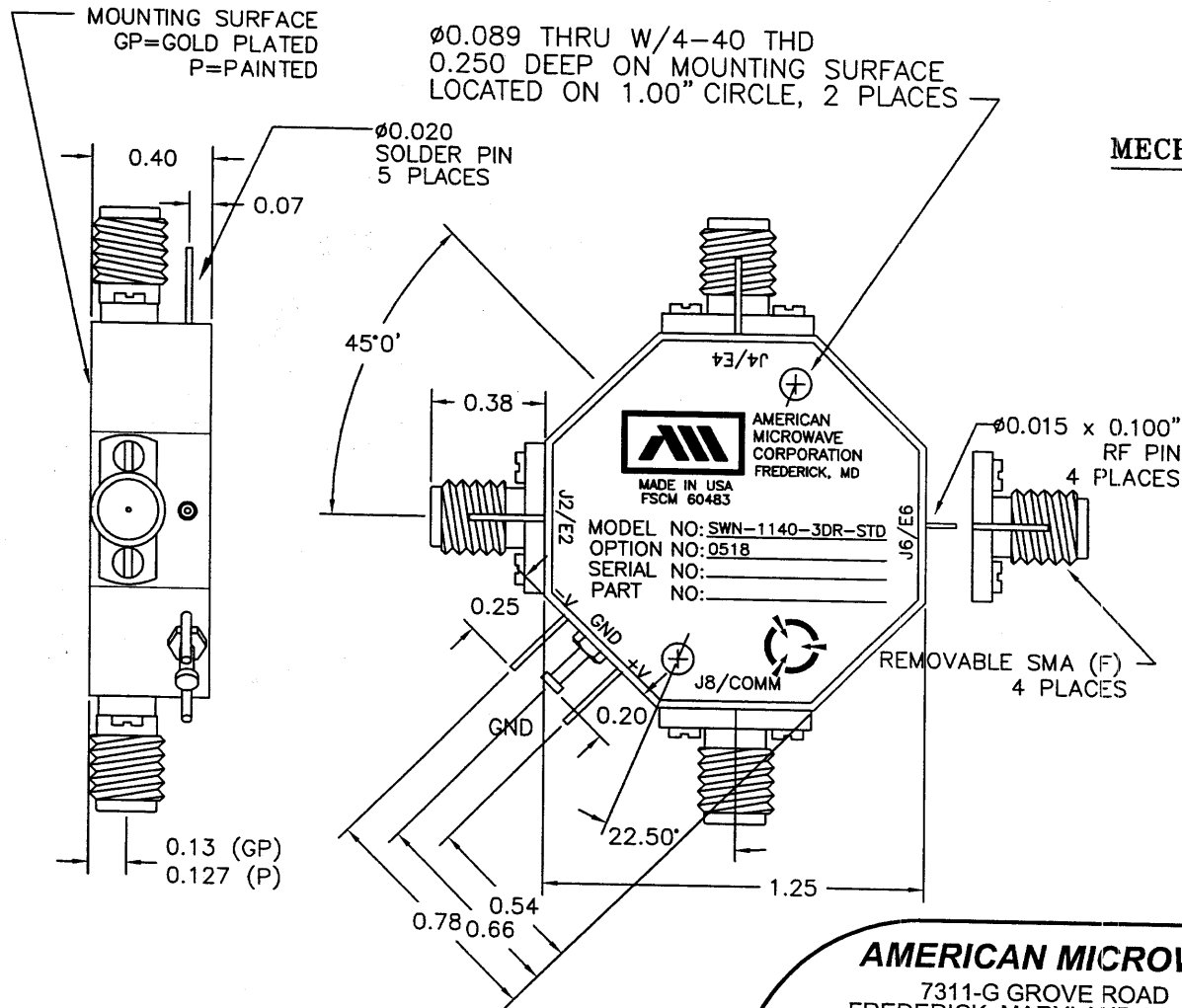


APPROVALS		DATE	TITLE		REV.
DRAWN	<i>JDJ</i>	12/8/04	PRODUCT FEATURE SWN-1140-3DR-STD OPTION: 0518		-
CHECKED	<i>[Signature]</i>	12/16/04	0.5 - 18 GHz, SINGLE POLE THREE THROW SWITCH		-
ISSUED			SIZE	FSCM NO.	DWG NO.
			A	6C483	100-7220
			SCALE	N:S	SHEET 1 OF 3

# DESCRIPTION

AMC MODEL SWN-1140-3DR-STD OPTION: 0518 IS A REFLECTIVE, SINGLE POLE THREE THROW SWITCH MODULE DESIGNED TO OPERATE OVER THE FULL 0.5 TO 18 GHz FREQUENCY RANGE WITH LOW INSERTION LOSS AND HIGH ISOLATION.

ZONE		REV.	DESCRIPTION	DATE	APPROVED
		-	ORIGINAL RELEASE JOB# 411262-2	12/8/04	



## MECHANICAL OUTLINE

ALL DIMENSIONS ARE IN INCHES  
 TOLERANCES:  
 X.XX ±0.020  
 X.XXX ±0.010

## AMERICAN MICROWAVE CORPORATION

7311-G GROVE ROAD  
 FREDERICK, MARYLAND 21704 USA  
 TEL: 301-662-4700 FAX: 301-662-4938  
 WEBSITE: [www.americanmicrowavecorp.com](http://www.americanmicrowavecorp.com)  
 E-MAIL: [sales@americanmicrowavecorp.com](mailto:sales@americanmicrowavecorp.com)  
 ISO 9001:2000 CERTIFIED



APPROVALS		DATE	TITLE		
DRAWN	<i>JDJ</i>	12/8/04	MECHANICAL OUTLINE SWN-1140-3DR-STD OPTION: 0518		
CHECKED	<i>h</i>	12/16/04	0.5 - 18 GHz, SINGLE POLE THREE THROW SWITCH		
ISSUED			SIZE	FSCM NO.	DWG NO.
			A	60483	100-7220
			SCALE	N:S	SHEET
					2 OF 3